

FIG. 1

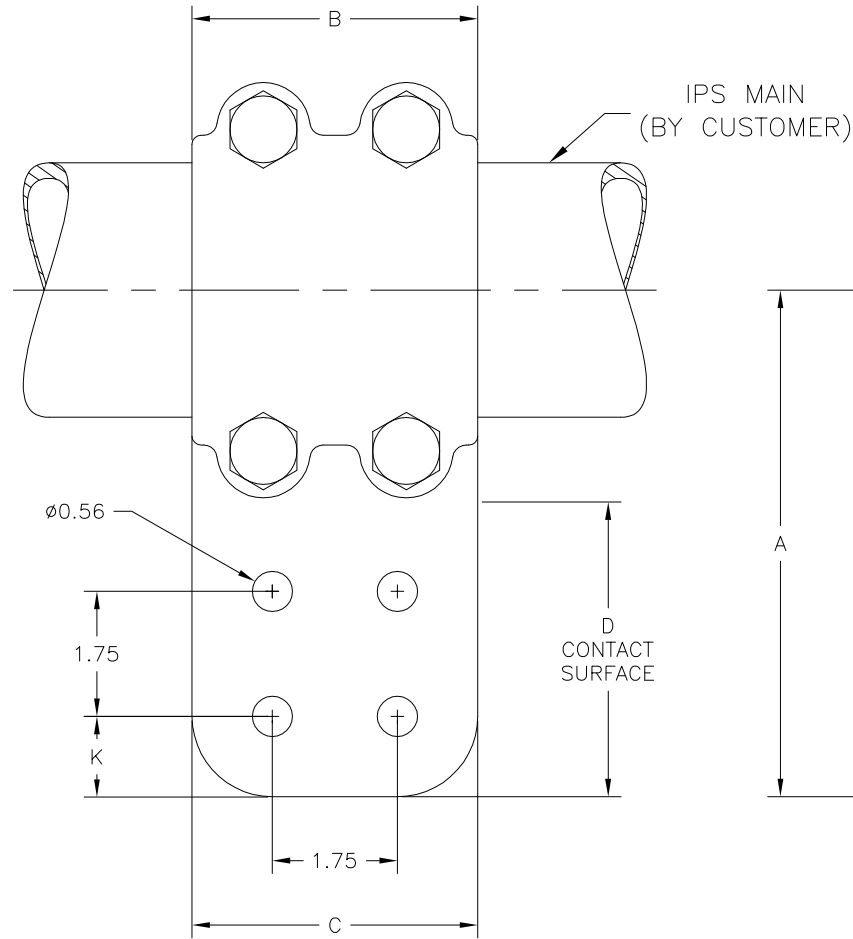
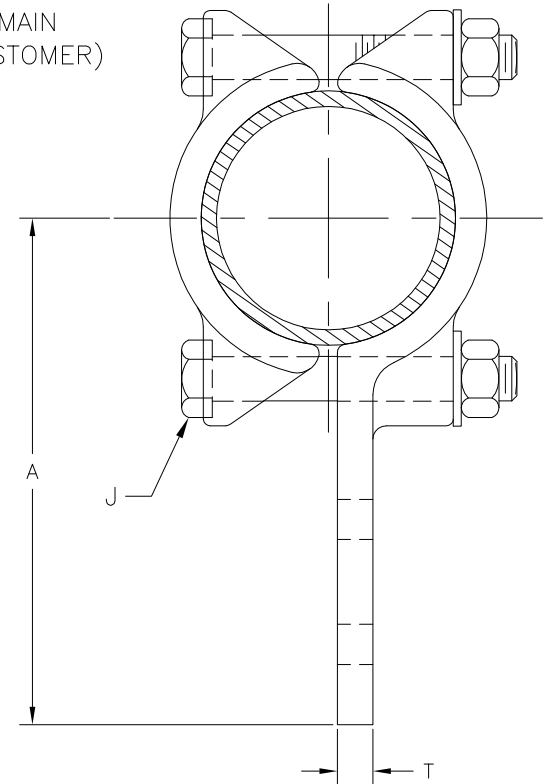


FIG. 2



NOTES:

1. MATERIAL: CASTINGS — 356-T6 ALUMINUM ALLOY
HARDWARE — ALUMINUM ALLOY
2. DIMENSION IN INCHES.
3. TO OBTAIN CABLE GROOVES COATED WITH A PETROLEUM BASE SEALANT, ADD "XB" SUFFIX TO PART NUMBER.
EXAMPLE: (ATTF-2430-1-XB)

58384	11/10/14	JLB	JLB
EC #	DATE	CHG BY	RESP ENG
DESC OF DWG: UPDATE DRAWING TO AUTOCAD FILE			
REASON(S) FOR CHANGE: --			
DISPOSITION OF MAT'L: --			

ANDERSON®
CONFIDENTIAL: THIS DRAWING AND ITS CONTENTS ARE CONFIDENTIAL AND THE EXCLUSIVE PROPERTY OF HUBBELL POWER SYSTEMS. NO PUBLICATION, DISTRIBUTION OR COPIES MAY BE MADE WITHOUT THE WRITTEN CONSENT OF HUBBELL POWER SYSTEMS. HUBBELL POWER SYSTEMS UNPUBLISHED. ALL RIGHTS RESERVED UNDER THE COPYRIGHT LAWS.


TITLE ALUMINUM TEE CONNECTOR			
ALUMINUM TUBE MAIN TO BAR TAP			
SIZE	DWG NO.	CAT / PART / ASSY NO.	REV
C	C-12983	SEE TABLE	01
DO NOT SCALE THIS DRAWING	DRN BY HDY	DATE 3/5/84	SHEET 1 of 2

CATALOG NUMBER	IPS MAIN	FIG.	A	B	C	D	T	K	J
ATTF-0420-1	0.500	1	4.750	2.500	2.000	3.250	0.375	0.625	0.500
ATTF-0620-1	0.750	1	4.875	2.500	3.000	3.250	0.375	0.625	0.500
ATTF-0630-1	0.750	2	5.000	2.500	3.000	3.250	0.375	0.625	0.500
ATTF-1020-1	1.000	1	5.000	2.750	2.000	3.250	0.375	0.625	0.500
ATTF-1030-1	1.000	2	5.000	2.750	3.000	3.250	0.375	0.625	0.500
ATTF-1220-1	1.250	1	5.063	3.000	2.000	3.250	0.375	0.625	0.500
ATTF-1230-1	1.250	2	5.063	3.000	3.000	3.250	0.375	0.625	0.500
ATTF-1240-1	1.250	2	6.063	3.000	4.000	4.125	0.375	1.125	0.500
ATTF-1420-1	1.500	1	5.000	3.250	2.000	3.125	0.375	0.625	0.500
ATTF-1430-1	1.500	2	5.250	3.250	3.000	3.250	0.375	0.625	0.500
ATTF-1440-1	1.500	2	6.125	3.250	4.000	4.125	0.375	1.125	0.500
ATTF-2020-1	2.000	1	5.625	3.500	2.000	3.250	0.375	0.625	0.500
ATTF-2030-1	2.000	2	5.500	3.500	3.000	3.250	0.375	0.625	0.500
ATTF-2040-1	2.000	2	6.500	3.500	4.000	4.250	0.375	1.125	0.500
ATTF-2420-1	2.500	1	6.000	3.750	2.000	3.250	0.500	0.625	0.625
ATTF-2430-1	2.500	2	5.875	3.750	3.000	3.125	0.500	0.625	0.625
ATTF-2440-1	2.500	2	6.875	3.750	4.000	4.125	0.500	1.125	0.625
ATTF-3010-1	3.000	1	6.313	4.000	1.000	3.250	0.500	0.625	0.625
ATTF-3020-1	3.000	1	6.250	4.000	2.000	3.250	0.500	0.625	0.625
ATTF-3030-1	3.000	2	6.125	4.000	3.000	3.250	0.500	0.625	0.625
ATTF-3040-1	3.000	2	7.125	4.000	4.000	4.125	0.500	1.125	0.625
ATTF-3430-1	3.500	2	6.500	4.250	3.000	3.250	0.625	0.625	0.625
ATTF-3440-1	3.500	2	7.750	4.250	4.000	4.250	0.625	1.125	0.625
ATTF-4020-1	4.000	1	6.875	4.250	2.000	3.250	0.625	0.625	0.625
ATTF-4030-1	4.000	2	6.875	4.250	3.000	3.250	0.625	0.625	0.625
ATTF-4040-1	4.000	2	8.000	4.250	4.000	4.250	0.625	1.125	0.625
ATTF-5020-1	5.000	1	7.500	5.000	2.000	3.250	0.750	0.625	0.625
ATTF-5040-1	5.000	2	8.500	5.000	4.000	4.250	0.750	1.125	0.625
ATTF-6030-1	6.000	2	7.875	6.000	3.000	3.250	0.750	0.625	0.625
ATTF-6040-1	6.000	2	8.875	6.000	4.000	4.250	0.750	1.125	0.625
ATTF-8040-1	8.000	2	9.750	6.000	4.000	4.250	1.000	1.125	0.625

58384	11/10/14	JLB	JLB
EC #	DATE	CHG BY	RESP ENG
DESC OF DWG SEE PAGE 1 -- -- -- REASON(S) FOR CHANGE: -- DISPOSITION OF MAT'L: --			

ANDERSON[®]

CONFIDENTIAL: THIS DRAWING AND ITS CONTENTS ARE CONFIDENTIAL AND THE EXCLUSIVE PROPERTY OF HUBBELL POWER SYSTEMS. NO PUBLICATION, DISTRIBUTION OR COPIES MAY BE MADE WITHOUT THE WRITTEN CONSENT OF HUBBELL POWER SYSTEMS. HUBBELL POWER SYSTEMS UNPUBLISHED. ALL RIGHTS RESERVED UNDER THE COPYRIGHT LAWS.

 **HUBBELL[®] POWER SYSTEMS**

TITLE
**ALUMINUM TEE CONNECTOR
ALUMINUM TUBE MAIN TO BAR TAP**

SIZE	DWG NO.	CAT / PART / ASSY NO.	REV
C	C-12983	SEE TABLE	01
DO NOT SCALE THIS DRAWING	DRN BY HDY	DATE 3/5/84	SHEET 2 of 2